



As always we strive to manufacture the safest kennel on the market. Recently it has come to our attention that some dogs who are especially fond of climbing on or jumping in their kennels may inadvertently get their paw caught in the top corner of their kennel, which has the potential to cause injury. This is not a likely concern for most of our valued customers, but we would like to take every possible precaution to ensure the absolute safety of your best friend. If your dog is a climber or jumper; he or she may be susceptible to getting a paw caught. To prevent this from happening, please install "Corner & Side Joint Guards" (pictured below). They are easy to install using the included Zip-Ties or Self-Tapping Screws. Simply line up the Cap with an interior corner or side joint of your kennel, then attach with zip ties or self-drilling screws. The self-tapping screws create a cleaner look, but will require a drill and nut driver.

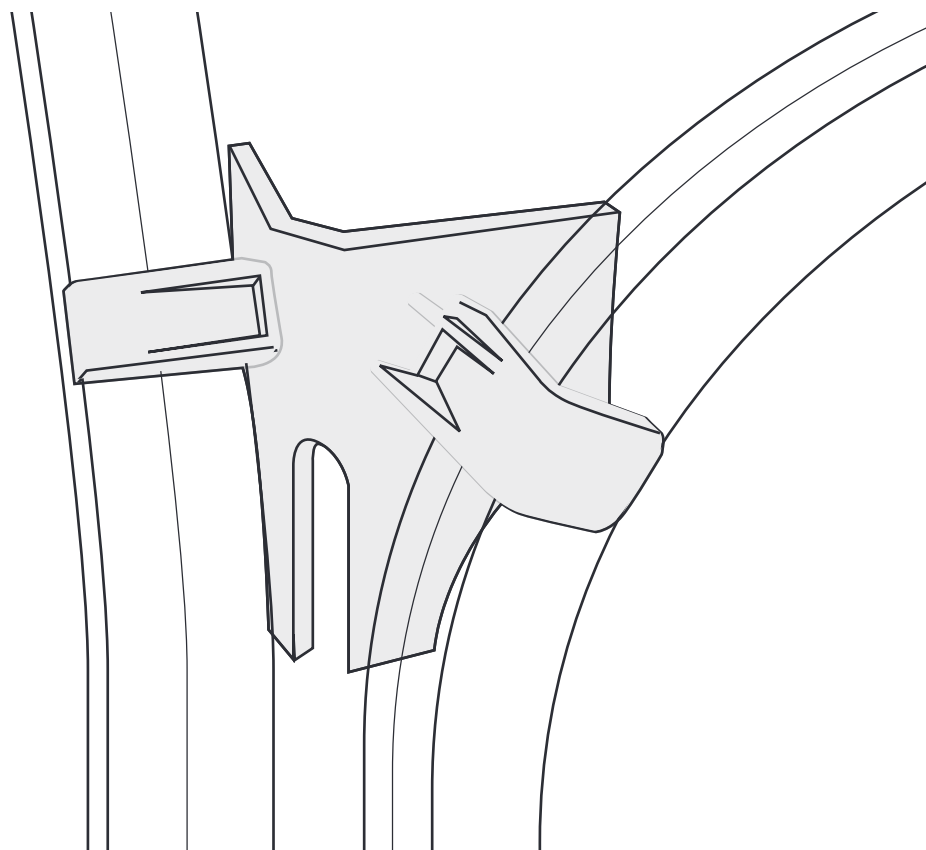
## **EQUIPMENT FOR ASSEMBLE**

*Not included in the item package.*

- Safety transparent glass (if there any)
- Safety Gloves and Safety Shoes
- Metal Scissors
- Electrical Hand Drill

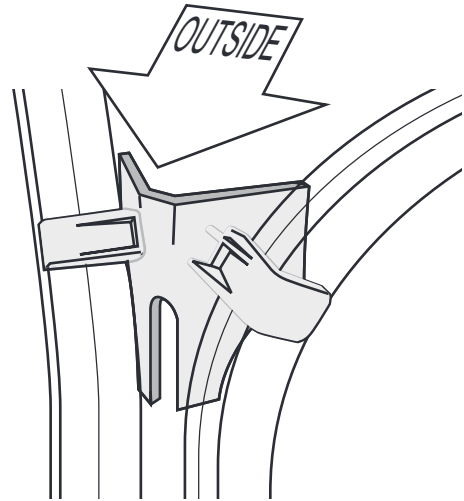
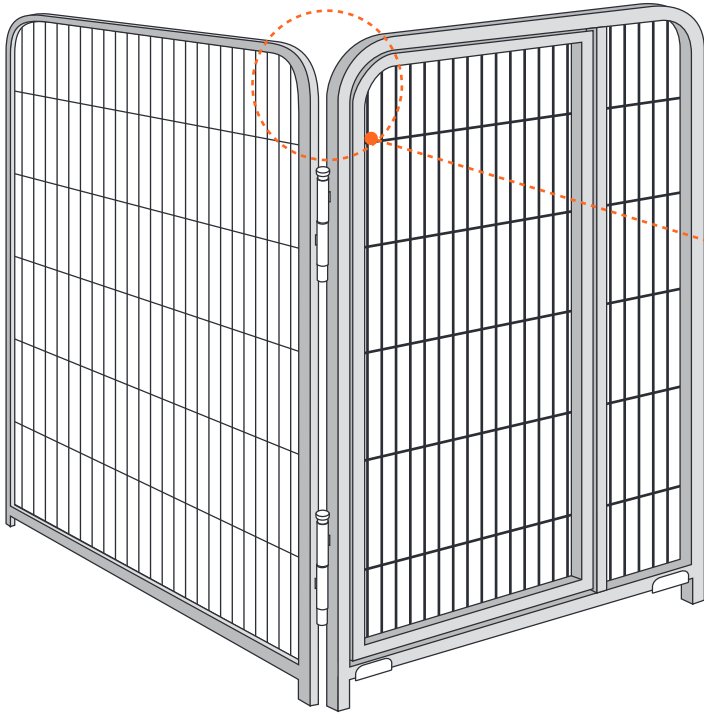


It is recommended that you have knowledge of assembly are helpful.

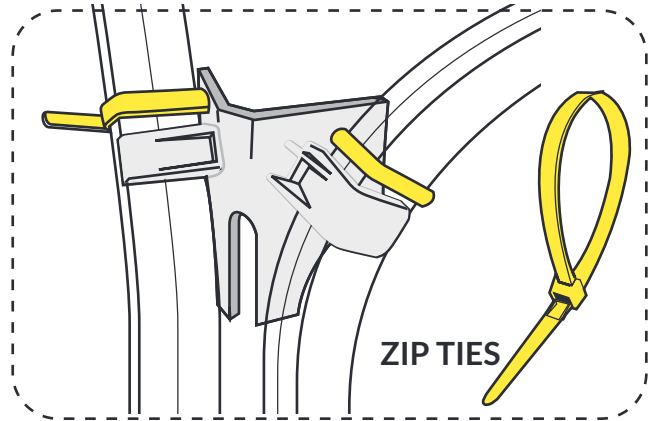
**K9 KENNEL STORE**

833 West 27th Street Ogden, Ut 84401  
Phone : (801) 621-4024 Fax :(801) 621-4353  
E-Mail : k9kennelsstore@gmail.com

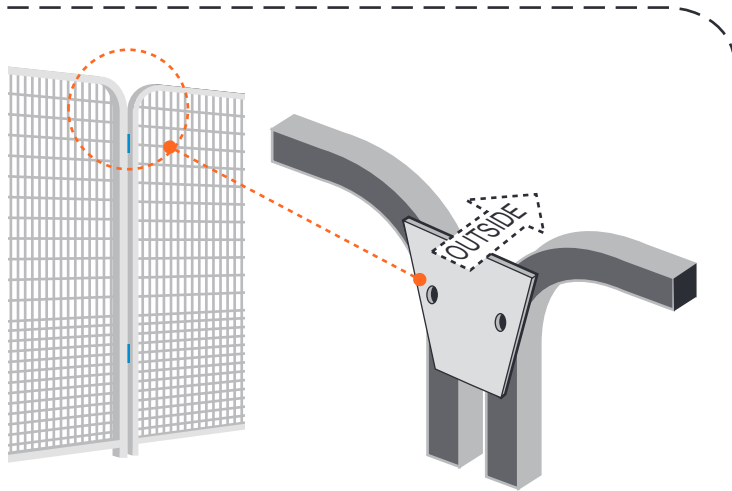
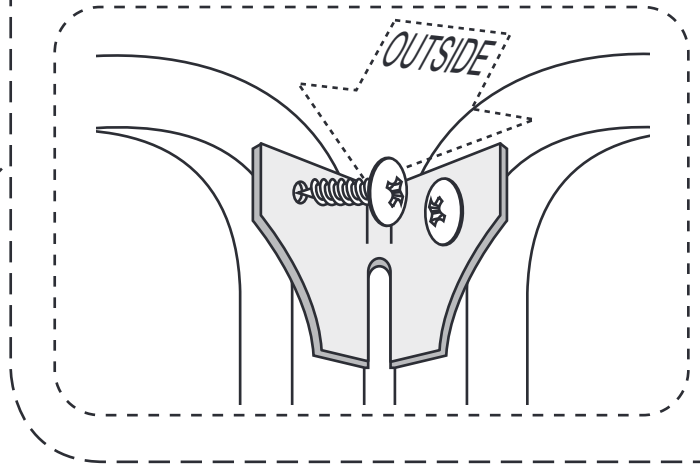
# HOW TO ASSEMBLE



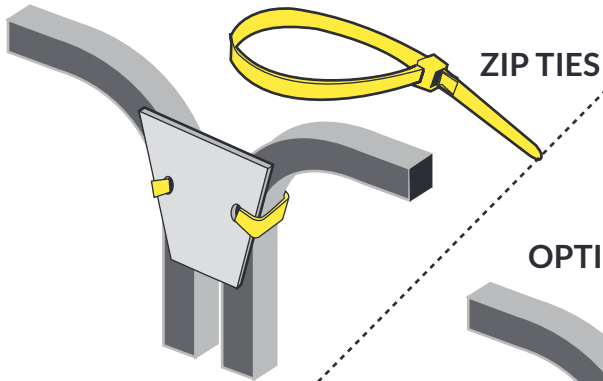
OPTION 1



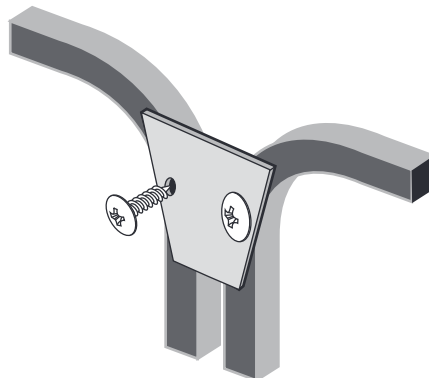
OPTION 2



OPTION 1



OPTION 2



*Thank  
You*